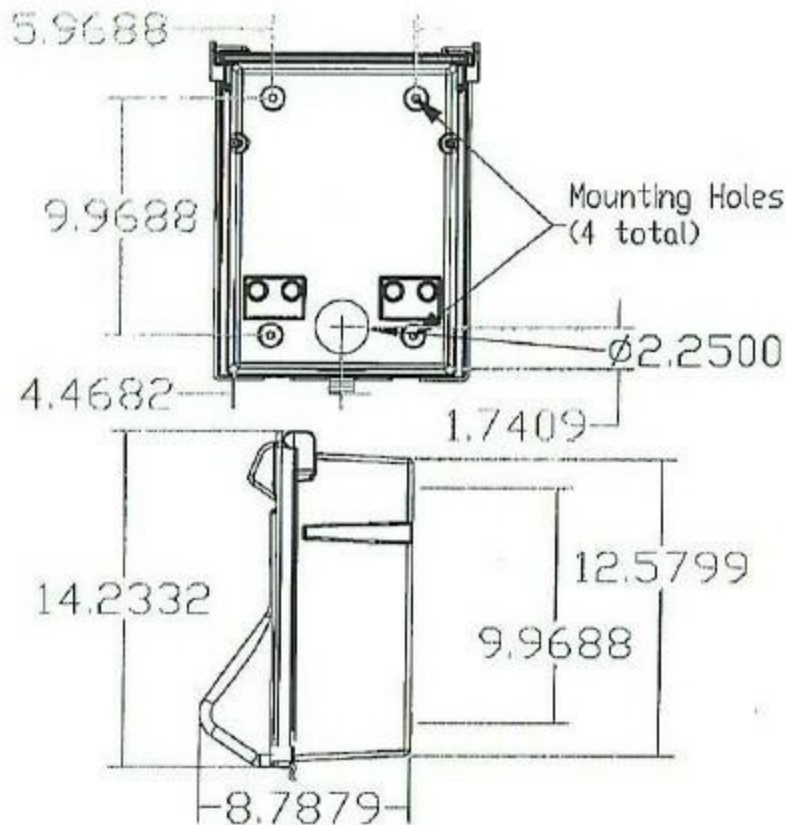


Bottom



PROPRIETARY AND CONFIDENTIAL THE INFORMATION CONTAINED IN THIS DRAWING IS THE SOLE PROPERTY OF HYPERMATE INTERNATIONAL, INC. ANY REPRODUCTION IN WHOLE OR IN PART WITHOUT THE WRITTEN PERMISSION OF HYPERMATE INTERNATIONAL, INC. IS PROHIBITED.	Material Polycarbonate	DIMENSIONS ARE IN INCHES TOLERANCES ± 0.010"	DATE 03-1-06	DRAWN ACS	DESIGNED SMC/AYP	HyPower EnergyMate Complete Assy
		FINISH DO NOT SCALE DRAWING	PARTIAL ANGULAR SCALE 3000 ± TWO PLACE DECIMAL 10.00" THREE PLACE DECIMAL 10.010"	CHECKED SMC/AYP	APPROVED SMC/AYP	

Drawing provided by: Scalise Marine, Inc.