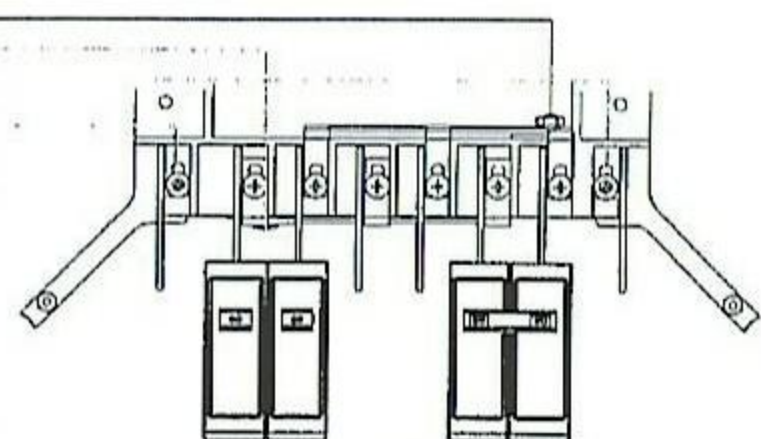
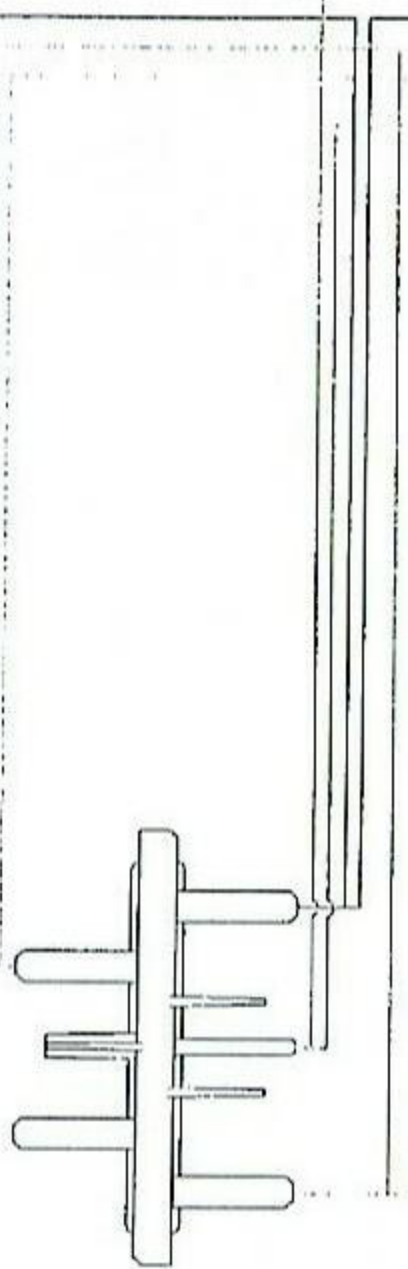
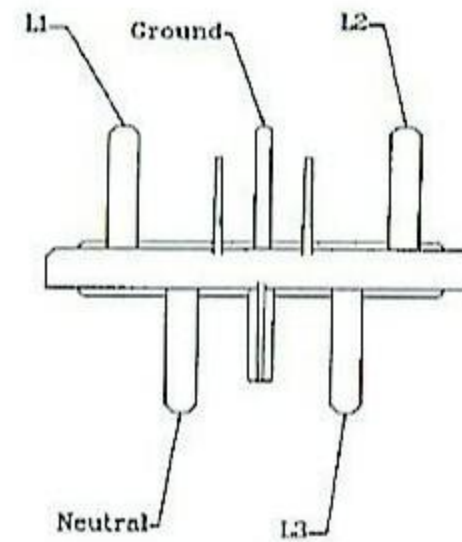



Example



Example



Drawing provided by: Scalise Marine, Inc.

PROPRIETARY AND CONFIDENTIAL THE INFORMATION CONTAINED IN THIS DRAWING IS THE SOLE PROPERTY OF HYDROBENT INTERNATIONAL, INC. ANY REPRODUCTION IN PART OR AS A WHOLE WITHOUT THE WRITTEN PERMISSION OF HYDROBENT INTERNATIONAL, INC. IS PROHIBITED.	POWERPORT 	DIMENSIONS ARE IN INCHES TOLERANCES: $\pm 0.010"$ FRACTIONAL: ANGULAR: MACH: $\pm 0.01"$ TWO PLACE DECIMAL $\pm 0.01"$ THREE PLACE DECIMAL $\pm 0.010"$		DRAWN ACS 07/25/04	NAME DATE	HyPower Wiring Dia. PowerPort
		MATERIAL FINISH DO NOT SCALE DRAWING	CHECKED ENG APPR. XPS APPR.	SCALE: 1:1 WEIGHT:	SHEET 1 OF 1	